



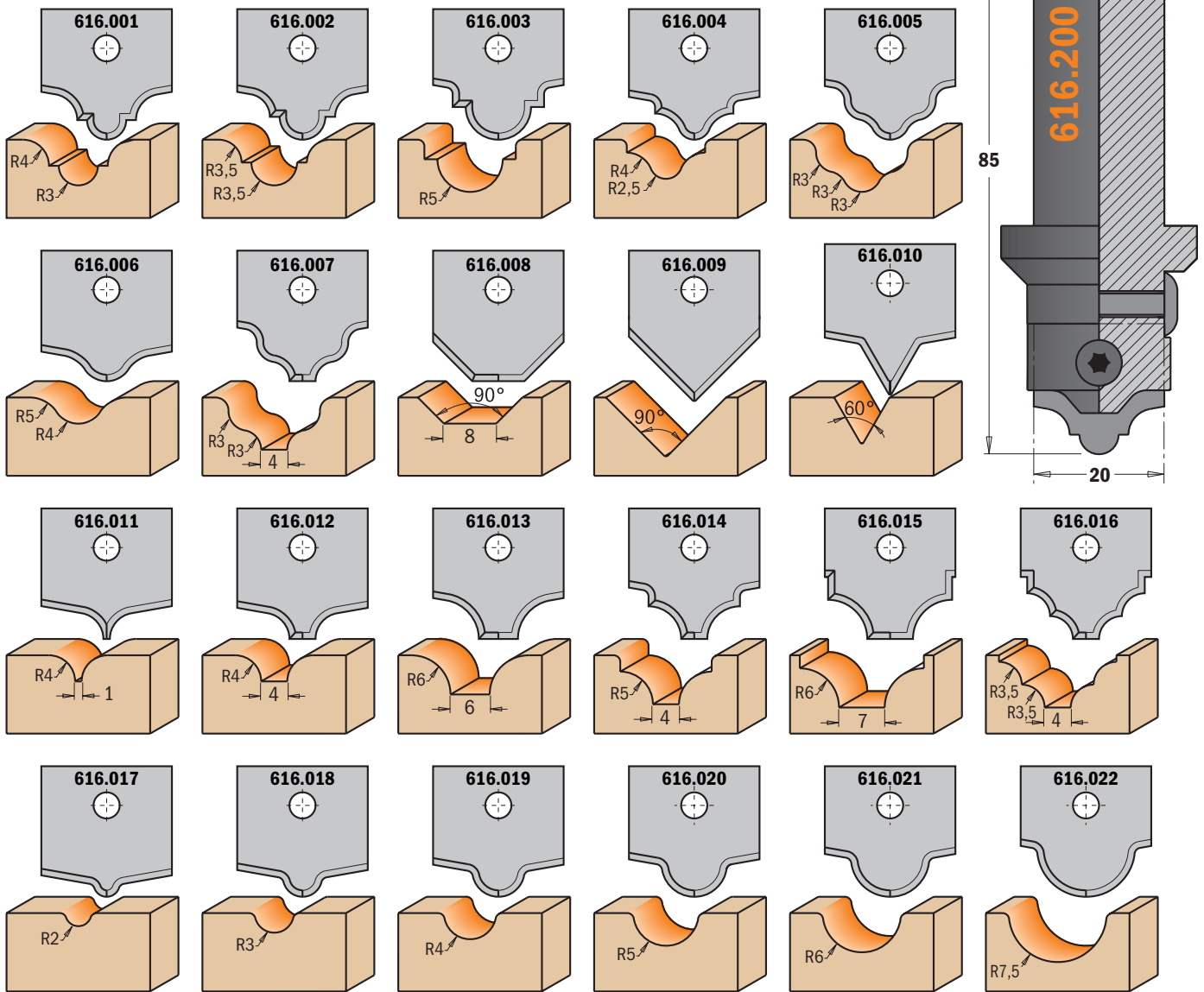
**616.000.01**

This unique system includes a tool body with 22 profile knives designed for multiple applications on your CNC routers. Ideal for MDF, laminates, veneers, plastic, wood and solid surface materials.



**TECHNICAL DETAILS:**

- Knives 20x20x2mm.
- We recommend re-sharpened that knives be on the profiled cutting edges.



Drawings are 1:1 scale

DESCRIPTION	S mm	ORDER NO. Right-hand rotation	Spare parts		
Complete Set for Decorating on MDF	20	<b>616.000.01</b>	616.200	990.077.00	991.061.00
Router cutter body with shank Ø20mm (insert knives not included)	20	<b>616.200</b>		990.077.00	991.061.00
Router cutter body with shank Ø12mm (insert knives not included)	12	<b>616.120</b>		990.077.00	991.061.00

**REMARK:** tool body and insert knives can be sold individually.

SAW BLADES  
 JIG SAW BLADES  
 SAW BLADES  
 TOOLS FOR MULTI-CUTTERS  
 TOOLS WITH BORE & KNIVES  
 ROUTER BITS & SETS  
 CNC ROUTER CUTTER & CHUCKS  
 INDUSTRIAL DOWEL DRILLS  
 BITS FOR HAND POWER TOOLS  
 HOLE SAW BLADES  
 POWER TOOLS & ACCESSORIES  
 DISPLAY CABINETS & SPARE PARTS

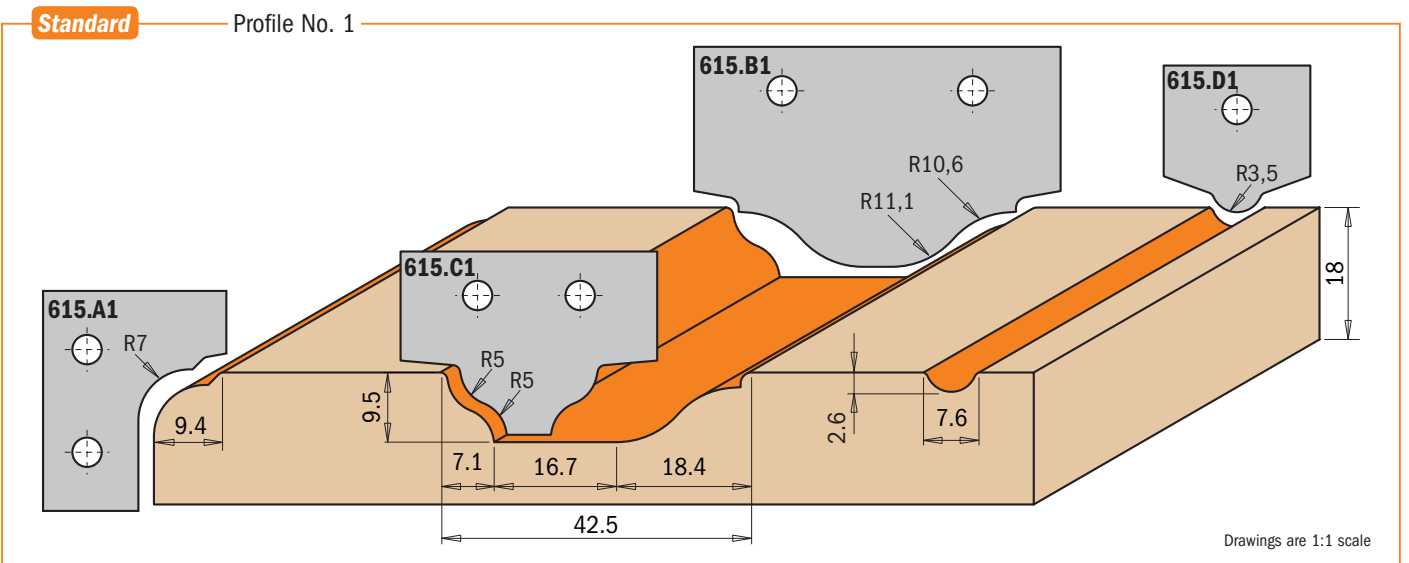
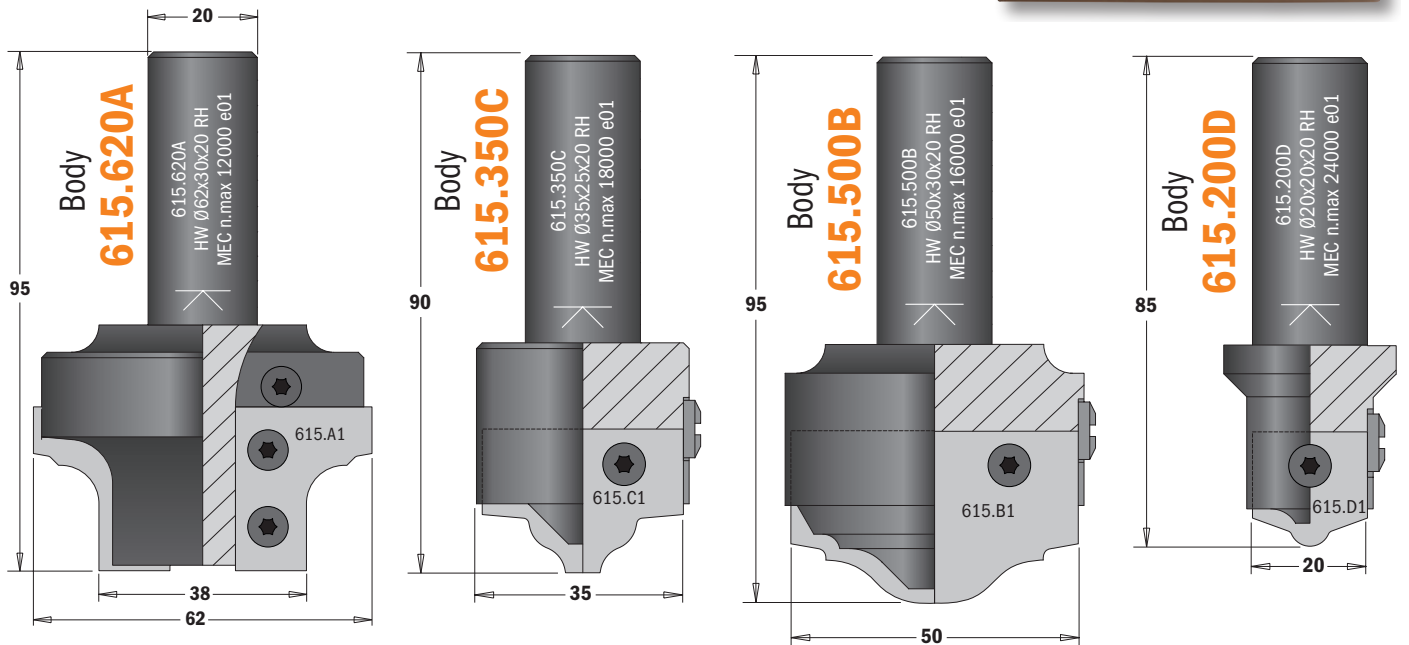
# Complete Set for MDF Doors



## 615.004.01

Open some new doors with CMT. Our 4-piece set includes the most popular profile to make MDF panel doors for kitchens and bathrooms. Each bit is made from bar stock steel and is equipped with 5 different profile knives allowing enormous possibilities for easy and economical construction. The highest materials, the lowest tolerance in balancing and the precision in the sharpening of the knives let you obtain a smooth finish on your CNC machine.

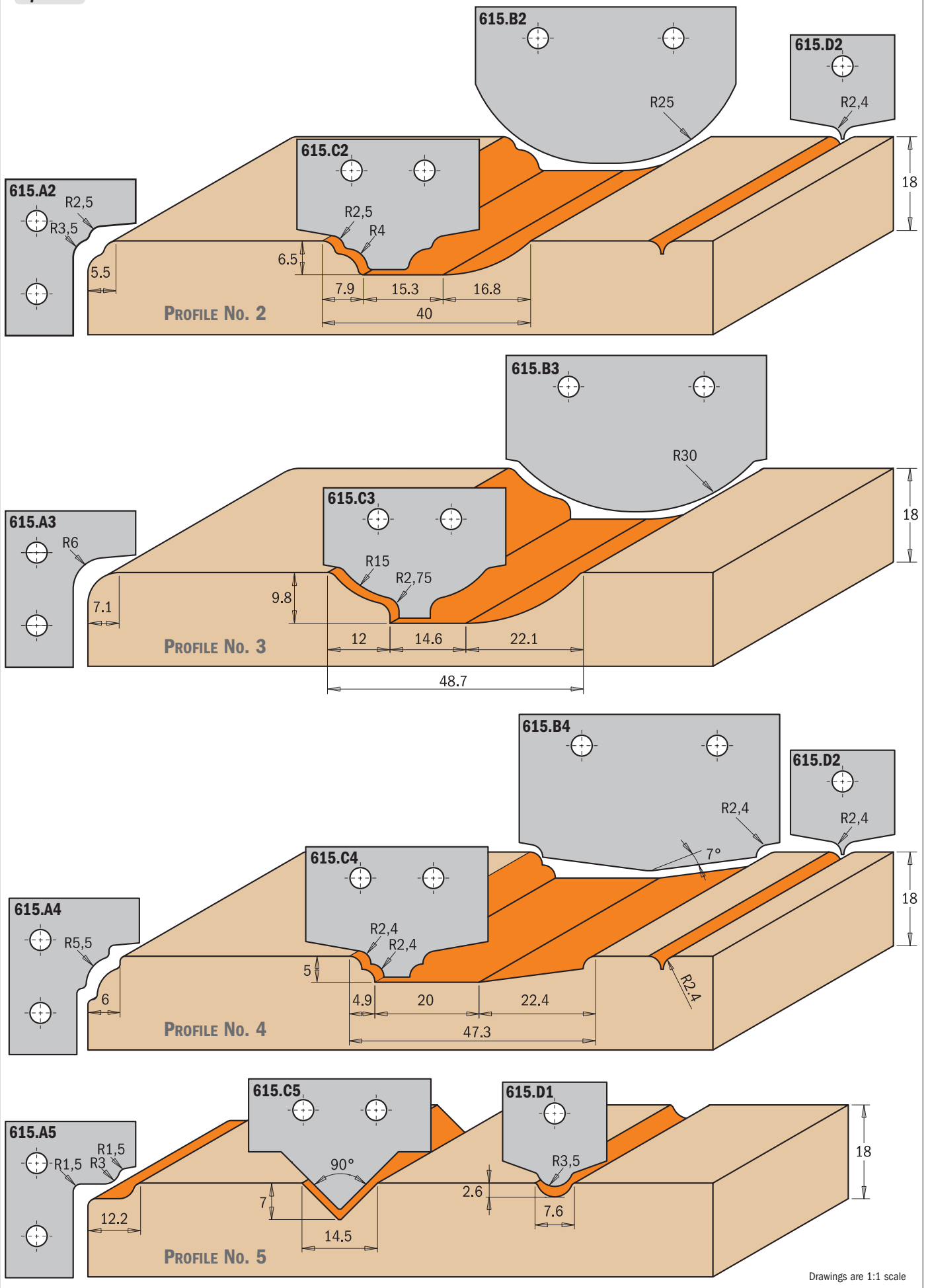
- Spare parts**
- 991.061.00 T15 Torx key
  - 990.073.00 M3,5x5mm Torx screw
  - 990.075.00 M4x6mm Torx screw
  - 990.077.00 M3,5x7mm Torx screw



Drawings are 1:1 scale

DESCRIPTION	S mm	ORDER NO. Right-hand rotation
Complete Set for MDF Doors (Profile no. 1)	20	<b>615.004.01</b>

Optional



# Universal Profile Cutter for CNC Machines

**new**

**CMT ORANGE TOOLS™**



**663.301.11**

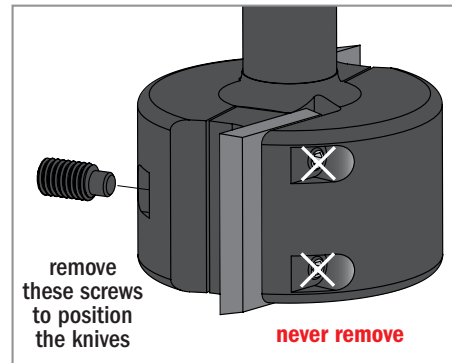
**SP Z2 RH**  

D mm	I mm	L mm	S mm	ORDER NO. Right-hand rotation
65	40-50	93	20	<b>663.301.11</b>

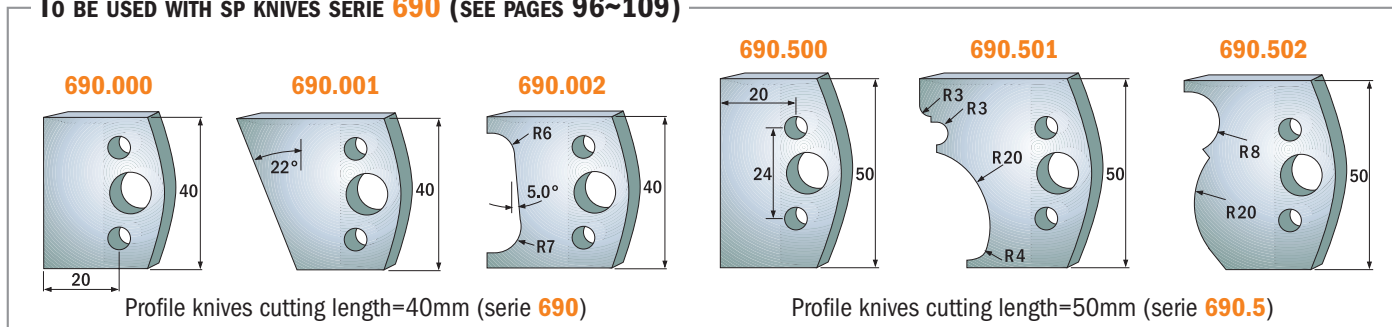
**Spare parts**  
 692.999.01 38x15x16mm wedge for cutter  
 990.068.00 M5x5mm TCEI screw  
 991.064.00 Hex key 4mm

**TECHNICAL DETAILS:**  
 - Super Strength steel.  
 - 2 cutting edges [Z2]  
 for knives 40x4mm and 50x4mm.

**APPLICATION:**  
 for universal profiling of solid wood on CNC router machines. For cutting width 40mm and 50mm (serie 690). Profile knives may only be ordered and used in pairs. For router machines with mechanical feed.



**To be used with SP KNIVES SERIE 690 (SEE PAGES 96~109)**



# Slot & Mortise Boring Bits



**163**

**HW Z2 RH** 

D mm	L mm	S mm	ORDER NO. Right-hand rotation
12	100	M12x1	<b>163.120.11</b>
14	100	M12x1	<b>163.140.11</b>
16	100	M12x1	<b>163.160.11</b>

**TECHNICAL DETAILS:**  
 - Super strength steel.  
 - 2 HW precision ground cutting edges [Z2].

**APPLICATION:**  
 used for cutting mortises and slots in solid wood and wood composites. Assembled in chucks.

**163**

**HL Z2 RH** 

D mm	L mm	S mm	ORDER NO. Right-hand rotation
12	100	M12x1	<b>163.120.31</b>
14	100	M12x1	<b>163.140.31</b>
16	100	M12x1	<b>163.160.31</b>
18	100	M12x1	<b>163.180.31</b>

**TECHNICAL DETAILS:**  
 - Long lasting cutter performance.  
 - 2 HL precision ground cutting edges [Z2].

**APPLICATION:**  
 used for cutting mortises and slots in solid wood and wood composites. Assembled in chucks.